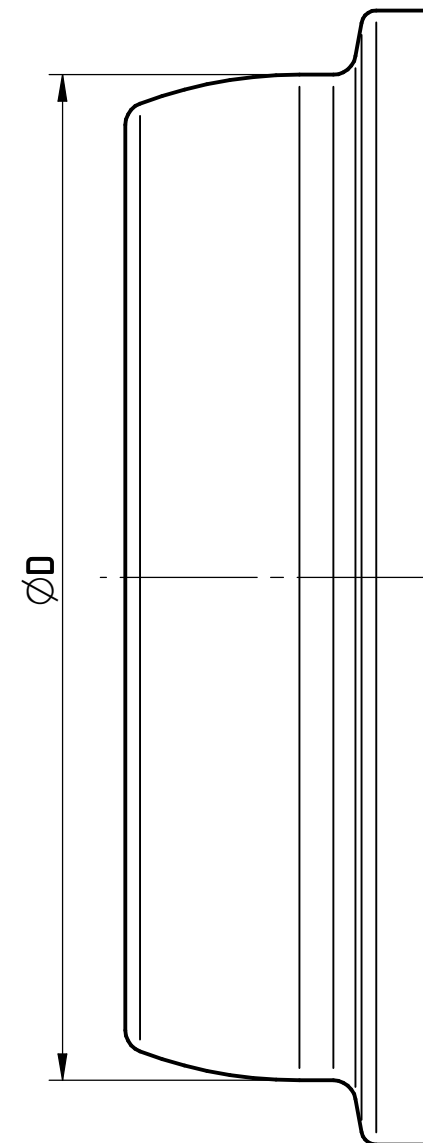


| Profil HEM | h (mm) | b (mm) | t (mm) |
|------------|--------|--------|--------|
| 100 | 120 | 106 | 20 |
| 120 | 140 | 126 | 21 |
| 140 | 160 | 146 | 22 |
| 160 | 180 | 166 | 23 |
| 180 | 200 | 186 | 24 |
| 200 | 220 | 206 | 25 |
| 220 | 240 | 226 | 26 |
| 240 | 270 | 248 | 32 |
| 260 | 290 | 268 | 32,5 |
| 280 | 310 | 288 | 33 |
| 300 | 340 | 310 | 39 |
| 320 | 359 | 309 | 40 |
| 340 | 377 | 309 | 40 |
| 360 | 395 | 308 | 40 |
| 400 | 432 | 307 | 40 |
| 450 | 478 | 307 | 40 |
| 500 | 524 | 306 | 40 |
| 550 | 572 | 306 | 40 |
| 600 | 620 | 305 | 40 |
| 650 | 668 | 305 | 40 |
| 700 | 716 | 304 | 40 |
| 800 | 814 | 303 | 40 |
| 900 | 910 | 302 | 40 |
| 1000 | 1008 | 302 | 40 |



© Brano a.s.
All rights reserved!

10.06.12

INFORMATIVNÍ
Tato kopie nepodléhá
evidenci změn

| Rozměr pojezdového kola výrobku Z420, Z220 | | | | | | |
|--|-----------|------|------|-----|------------|-----------|
| Nosnost | 1t (0,5t) | 1,6t | 3,2t | 5t | 7,5t a 15t | 10t a 20t |
| D (mm) | 55 | 100 | 133 | 148 | 196 | 228 |

U všech nosností je možno rozměry kol na zakázku přizpůsobit požadavku zákazníka.